

# LOW PROFILE PCB JACK SMT TYPE



## 7643 SERIES. For PCB solder. Side Entry SMT Type PCB Jack

### Features

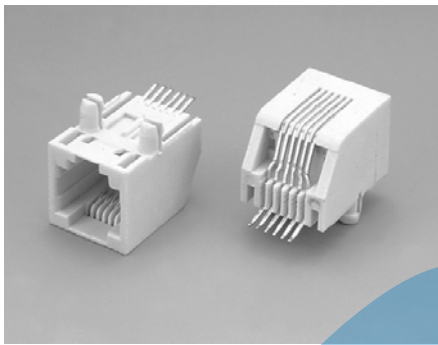
- Available in 6/2, 6/4, 6/6, 8/6 and 8/8 circuits
- Insulator Material: Glass filled polyester UL 94V-0
- Contacts: Golden phosphor bronze 0.35 mm thickness
- Available with or without panel stop
- Gold plating over nickel in Contact Area.
- Tin plating over nickel in Solder Area
- Mates with FCC-68 modular plugs
- Optional with Key

### Dimensional Information

### Ordering and Dimensional Information

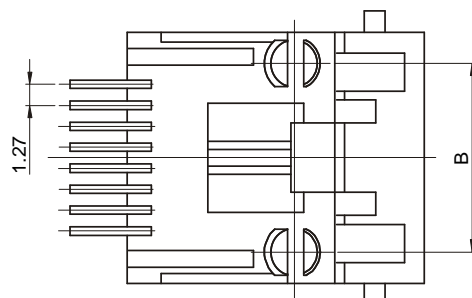
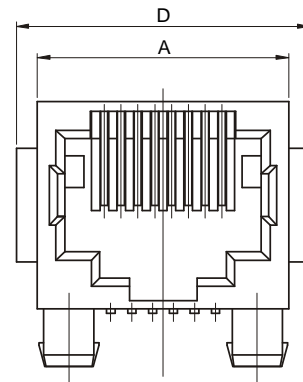
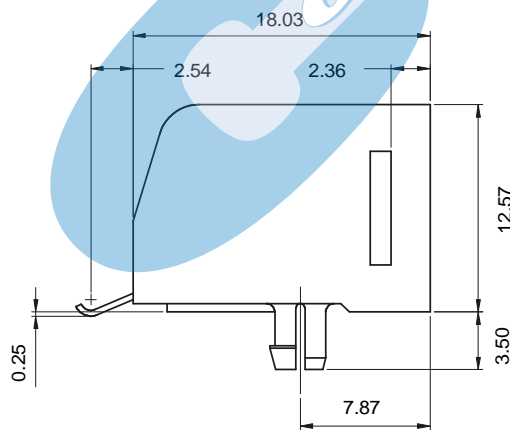
| Circuit Size | Part Number    |              | Dimensions    |               |              |               |
|--------------|----------------|--------------|---------------|---------------|--------------|---------------|
|              | Without Flange | With Flange  | A             | B             | C            | D             |
| 6/2          | 7643 – T621    | 7643 – T622  | 13.21(0.520)  | 10.16 (0.400) | 1.27 (0.050) | 15.74 (0.620) |
| 6/4          | 7643 – T641    | 7643 – T642  | 13.21(0.520)  | 10.16 (0.400) | 3.81(0.150)  | 15.74 (0.620) |
| 6/6          | 7643 – T661    | 7643 – T662  | 13.21(0.520)  | 10.16 (0.400) | 6.35 (0.250) | 15.74 (0.620) |
| 8/6          | 7643 – T861    | 7643 – T862  | 15.24 (0.600) | 11.43 (0.450) | 6.35 (0.250) | 17.78 (0.700) |
| 8/8          | 7643 – T881    | 7643 – T882  | 15.24 (0.600) | 11.43 (0.450) | 8.89 (0.350) | 17.78 (0.700) |
| 8/8          | 7643 – T883*   | 7643 – T884* | 15.24 (0.600) | 11.43 (0.450) | 8.89 (0.350) | 17.78 (0.700) |

\* Jack with key



### T = Contact Plating

- T = 4. 6  $\mu$ " gold over 50  $\mu$ " nickel
- T = 5. 15  $\mu$ " gold over 50  $\mu$ " nickel
- T = 6. 30  $\mu$ " gold over 50  $\mu$ " nickel
- T = 7. 50  $\mu$ " gold over 50  $\mu$ " nickel



### RECOMMENDED PCB LAYOUT

