

# SIDE ENTRY SMT JACK WITH SOLDER PAD

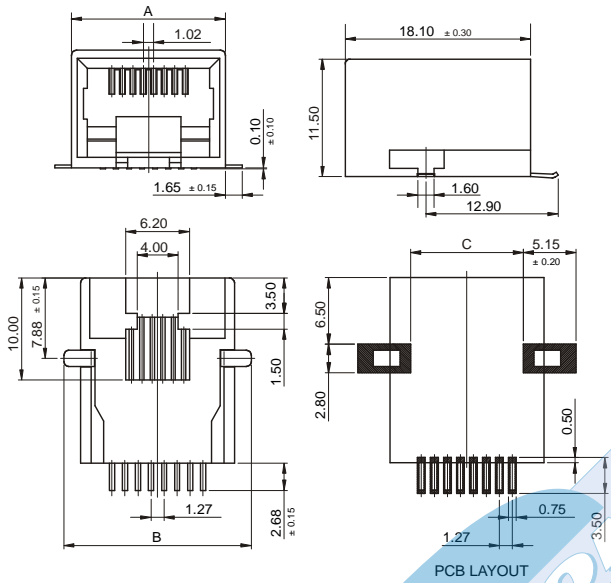


## 7644 SERIES. For PCB Solder. Side Entry SMT Jack

### Features

- Available in 6/4, 6/6 and 8/8 circuits
- Insulator Material: Nylon 6/6 UL 94V-0
- Contacts: Golden phosphor bronze of 0.35 X 0.45mm
- Low profile (11.50mm)
- Mates with FCC-68 modular plugs
- Gold plating over nickel in Contact Area.
- Tin plating over nickel in Solder Area
- Fixed to P.C. Board with Solder Pad
- Optional: Packing in Reel (See the Part Number options)

### Dimensional Information



### Ordering and Dimensional Information

Circuit Size	Part Number	Dimensions		
		A	B	C
6/4	<b>7644-T641*</b>	13.00	16.30	9.00
6/6	<b>7644-T661*</b>	13.00	16.30	9.00
8/8	<b>7644-T881*</b>	15.00	18.30	11.00

\* For Reel Packing add and R at the end of Part Number

### T = Contact Plating

- T = 4.6μ" gold over 50μ" nickel
- T = 5.15μ" gold over 50μ" nickel
- T = 6.30μ" gold over 50μ" nickel
- T = 7.50μ" gold over 50μ" nickel

### Reel Dimensions:

