

MULTI-PORT SIDE ENTRY PCB JACK FCC-68



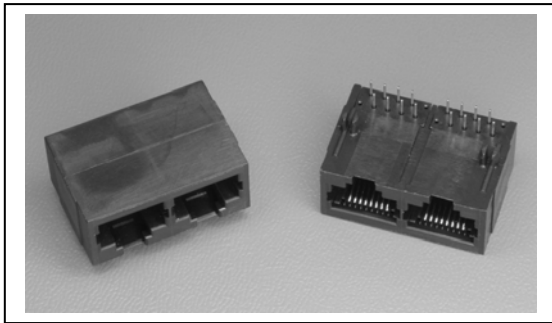
7652 SERIES. For PCB Solder. RJ 45 Unshielded.

Features

- Available in 8/8 circuits
- Available in 2, 4, 5, 6, 8, 10 and 12 Ports
- Insulator Material: Glass filled polyester UL 94V-0
- Contacts: Golden phosphor bronze of 0.35mm
- Different plating options are available
- Gold plating over nickel in Contact Area.
- Tin plating over nickel in Solder Area
- Mates with FCC-68 modular plugs
- With fixing post according to versions

Dimensional Information

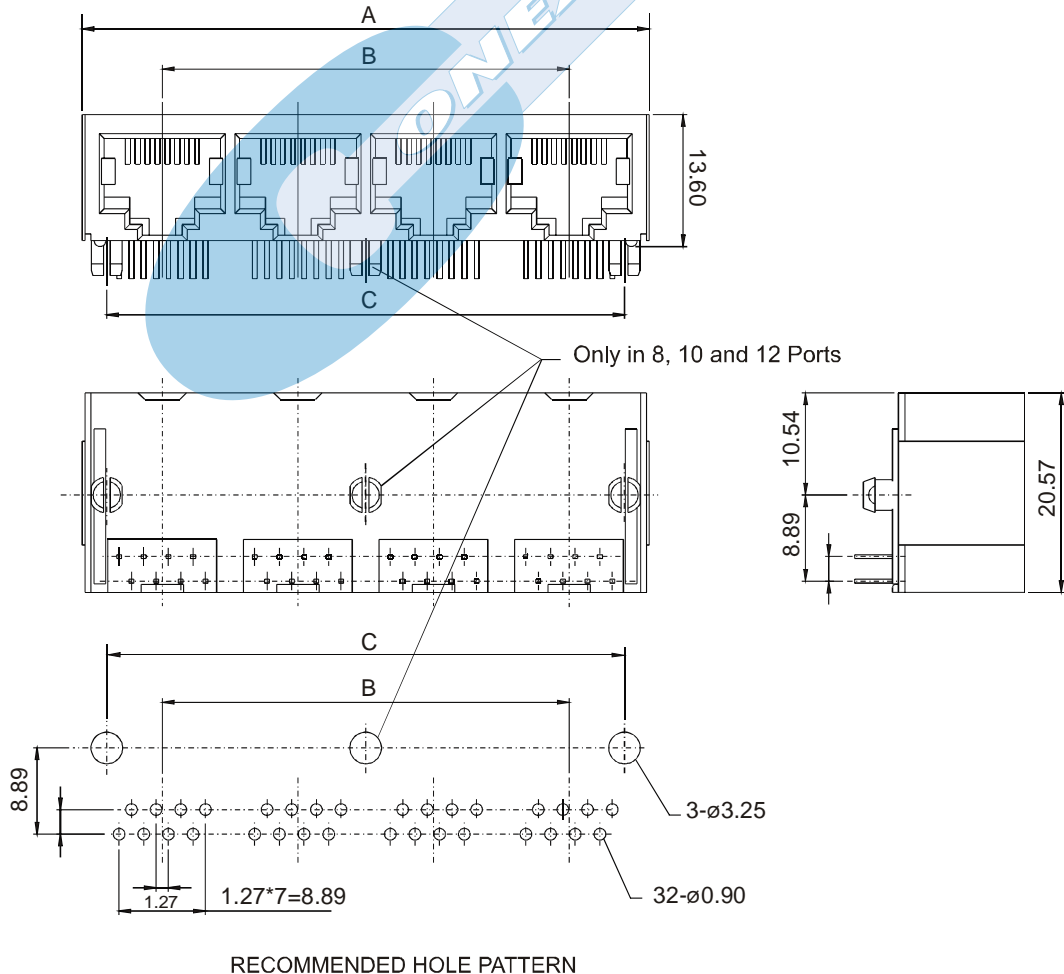
Ordering and Dimensional Information



Ports	Part Number	Dimensions		
		A	B	C
2	7652 - T021	30.48 (1.200)	13.97 (0.550)	25.40 (1.000)
4	7652 - T041	58.42 (2.300)	41.91 (1.650)	53.34 (2.100)
5	7652 - T051	72.39 (2.850)	55.88 (2.200)	67.31 (2.650)
6	7652 - T061	86.36 (3.400)	69.85 (2.750)	81.28 (3.200)
8	7652 - T081	114.30 (4.500)	97.79 (3.850)	109.22 (4.300)
10	7652 - T101	142.24 (5.600)	125.73 (4.950)	137.16 (5.400)
12	7652 - T121	170.18 (6.700)	153.67 (6.050)	165.10 (6.500)

T = Contact Plating

- T = 4. 6μ" gold over 50μ" nickel
- T = 5. 15μ" gold over 50μ" nickel
- T = 6. 30μ" gold over 50μ" nickel
- T = 7. 50μ" gold over 50μ" nickel



RECOMMENDED HOLE PATTERN