

# SIDE ENTRY PCB JACK FCC-68



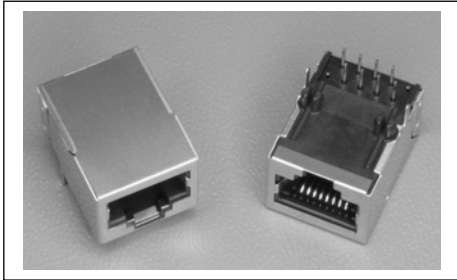
## 7653 SERIES. For PCB Solder. Shielded or Unshielded PCB Jack

### Features

- Available in 8/8 and 10/10 circuits
- Insulator Material: Glass filled polyester UL 94V-0
- Contacts: Golden phosphor bronze of 0.35mm
- Shielded Material: Bronze with nickel plated
- Gold plating over nickel in contact Area.
- Tin plating over nickel in Solder Area
- Mates with FCC-68 modular plugs
- Available Shielded or Unshielded

### Dimensional Information

### Ordering and Dimensional Information

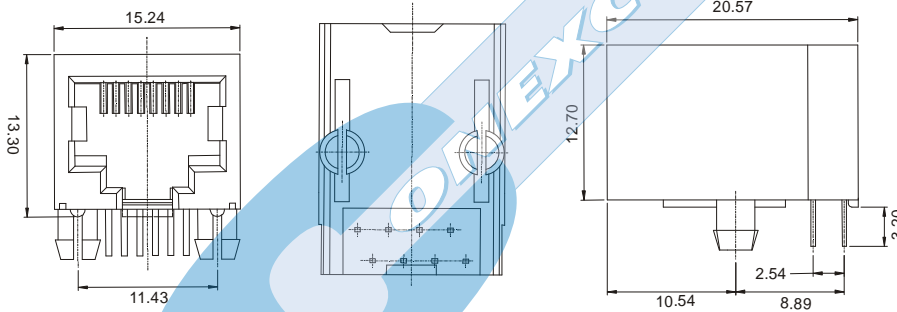


Circuit Size	Part Number		
	Unshielded	Shielded Without Grounding Tab	Shielded With Grounding Tab
8/8	7653 - T081	7653 - T082	7653 - T083
10/10	7653 - T101	7653 - T102	7653 - T103

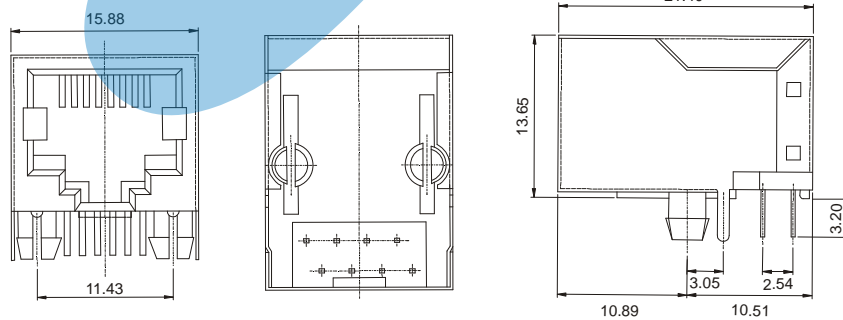
### T = Contact Plating

- T = 4.6μ" gold over 50μ" nickel
- T = 5.15μ" gold over 50μ" nickel
- T = 6.30μ" gold over 50μ" nickel
- T = 7.50μ" gold over 50μ" nickel

### UNSHIELDED VERSION



### SHIELDED VERSION



### RECOMMENDED HOLE PATTERN

