

RIGHT ANGLE TELEPHON. JACK FCC-68

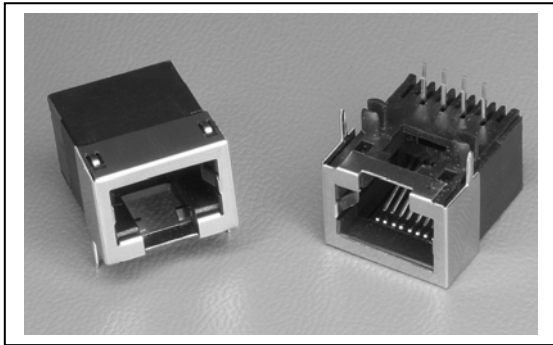


7654 SERIES. For PCB solder. Low Profile

Features

- Available in versions: 8/6, 8/8 and 10/10
- Plastic Material: Thermoplastic; UL 94V-0
- Contact Material: Phosphor Bronze of 0,35 mm thickness
- Plating of the pins: contact area selective Gold plated; solder area Tin plated
- Shielding: Brass, nickel plated
- Mates with plugs FCC-68. Low profile

Dimensional Information

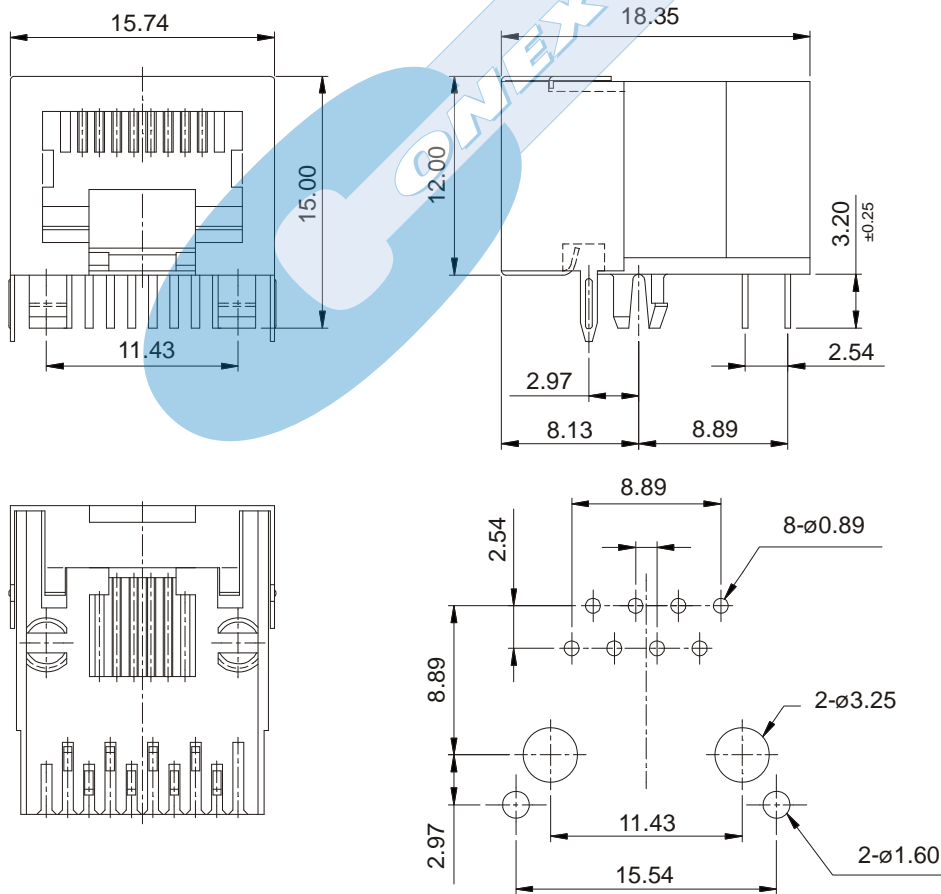


Ordering and Dimensional Information

VERSION	Part Number
8/6	7654 – T861
8/8	7654 – T881
10/10	7654 – T101

T = Platings of the Pins

- T = 4. 0.15 μ Gold over 1.27 μ Ni.
- T = 5. 0.38 μ Gold over 1.27 μ Ni.
- T = 6. 0.75 μ Gold over 1.27 μ Ni.
- T = 7. 1.27 μ Gold over 1.27 μ Ni.



RECOMMENDED HOLE PATTERN