

RIGHT ANGLE TELEPH. JACK FCC-68

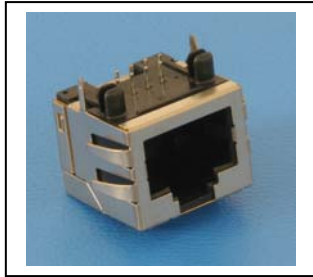


SERIE 7657. For PCB solder. Optional Shielding

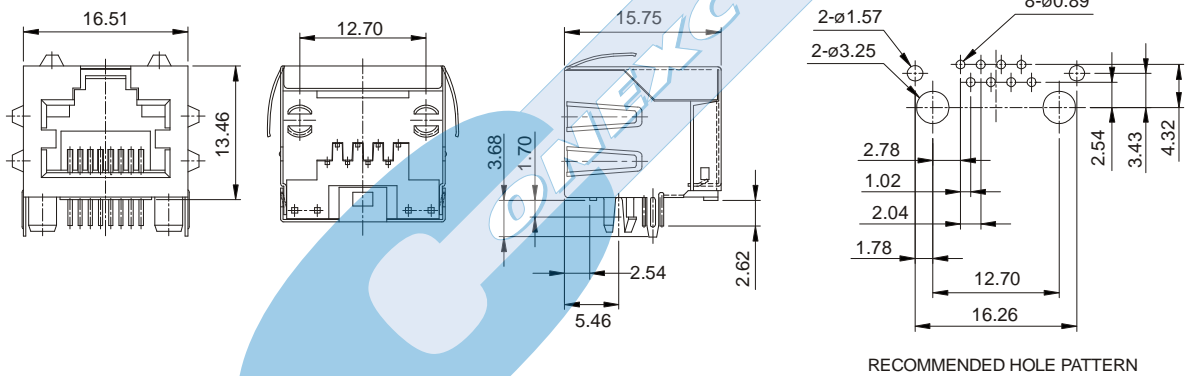
Features

- Available in version: 8/8
- Mates with plug FCC-68
- Insulator Material: Polyester fibre Glass filled; UL94V-0
- With fixing pegs on PCB
- Contacts available in different platings
- Available with and w/o conductor line
- Shielding: Brass, 0,25 mm thick, Tin plated with grounding tap to PCB
- Contact Material: Phosphor Bronze square wire 0,35 mm; Gold plated

Dimensional Information

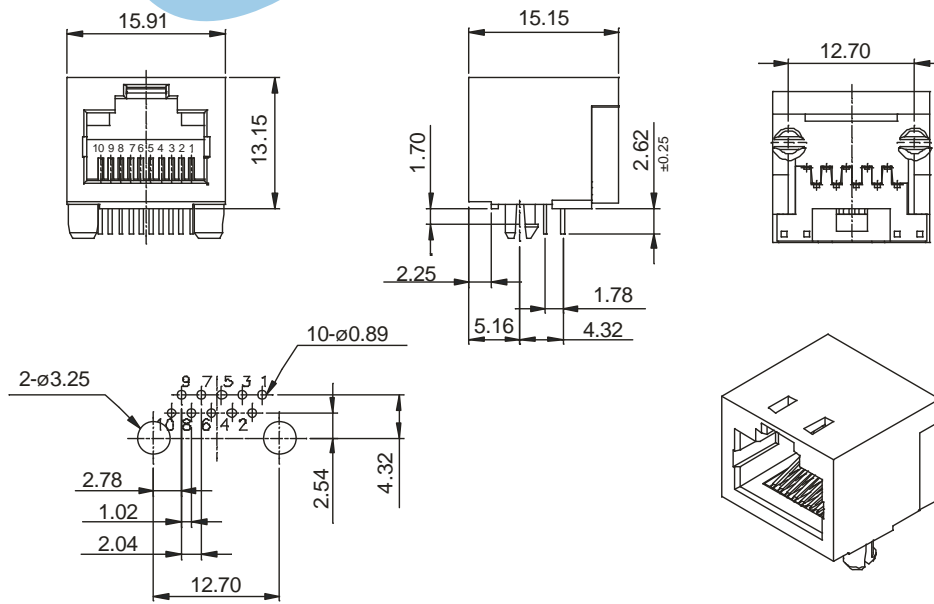


Shielded Version



RECOMMENDED HOLE PATTERN

Unshielded Version



RECOMMENDED HOLE PATTERN

Ordering and Dimensional Information

| VERSIÓN | Part Number | | |
|---------|-------------|------------------|-------------------|
| | Unshielded | Shielded | |
| 8/8 | 7657 - T880 | W/O Groundig Tab | With Groundig Tab |
| 10/10 | 7657 - T100 | 7657 - T881 | 7657 - T882 |
| | | 7657 - T101 | 7657 - T102 |

T = Platings of the Pins

- T = 5. 0.38 μ Gold over 1.27 μ Ni.
- T = 6. 0.75 μ Gold over 1.27 μ Ni.
- T = 7. 1.27 μ Gold over 1.27 μ Ni.