

RIGHT ANGLE TELEPHONIC JACK FCC-68



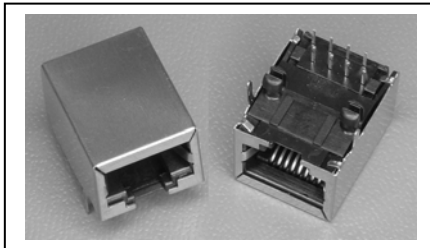
7658 SERIES. For PCB Solder.

Features

- Available in 6/6 and 8/8 circuits
- Insulator Material: Polyester fibre glass filled; UL 94V-0
- Available with and w/o shielding
- Contact Material: Phosphor Bronze round wire 0,35mm available in different plating options
- Mates with telephone plugs FCC-68

Dimensional Information

Ordering and Dimensional Information

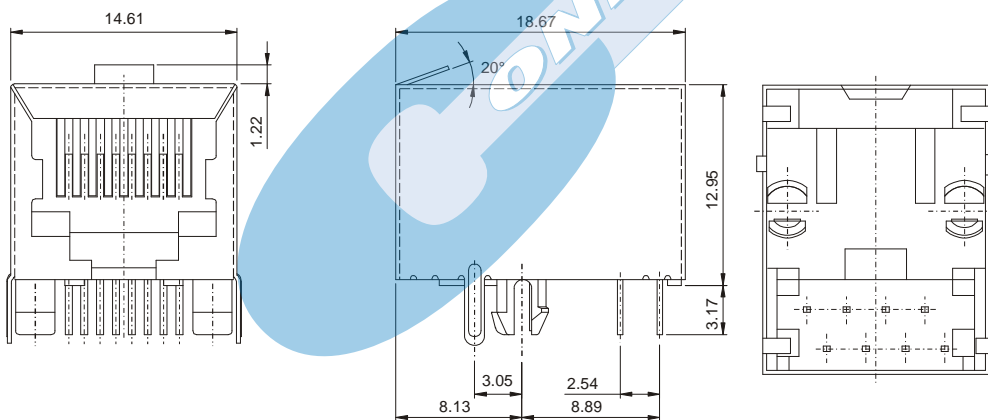


VERSION	Part Number	
	without shielding	shielded
6/6	7658 - T661	7658 - T662
8/8	7658 - T881	7658 - T882

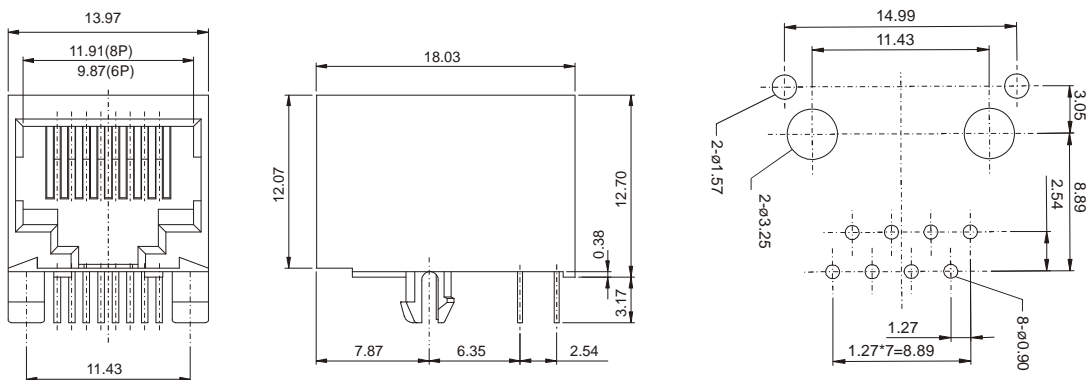
T = Plating Options

- T = 4. 0.15 μ Gold over 1.27 μ Ni.
- T = 5. 0.38 μ Gold over 1.27 μ Ni.
- T = 6. 0.75 μ Gold over 1.27 μ Ni.
- T = 7. 1.27 μ Gold over 1.27 μ Ni.

SHIELDED VERSION



UNSHIELDED VERSION



RECOMMENDED HOLE PATTERN