

R/ ANGLE TEL. JACK FCC-68 WITH FERRITE

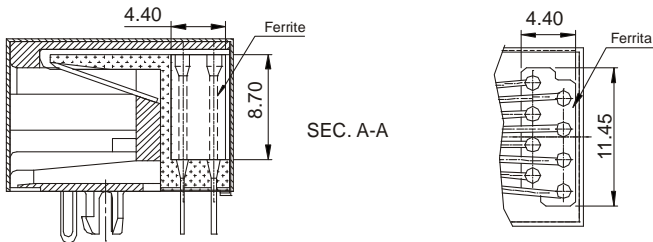


7659 SERIES. For PCB Solder

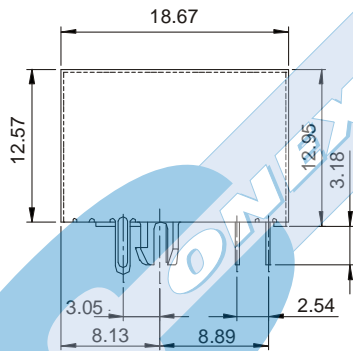
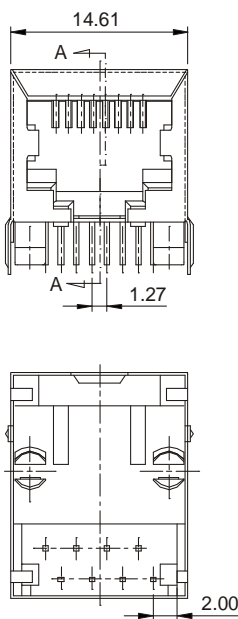
Features

- Available in: 6/6 and 8/8 circuits
- Insulator Material: Polyester fibre glass filled; UL 94V-0
- Available with and w/o shielding
- Contact Material: Phosphor Bronze 0.35 mm. thick
- Plating of the Pins: contact area selective Gold plated; Solder area Tin plated.
- Mates with plugs FCC-68

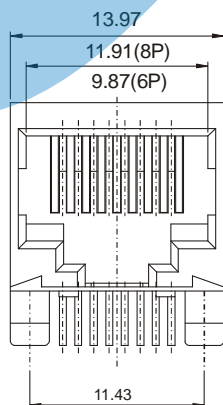
Dimensional Information



SHIELDED VERSION



UNSHIELDED VERSION



Ordering and Dimensional Information

VERSION	Part Number	
	w/o shielding	shielded
6/6	7659 - T661	7659 - T662
8/8	7659 - T881	7659 - T882

T = Contact Plating

- T = 4.6μ" gold over 50μ" nickel
- T = 5.15μ" gold over 50μ" nickel
- T = 6.30μ" gold over 50μ" nickel
- T = 7.50μ" gold over 50μ" nickel

RECOMMENDED HOLE PATTERN

