

# MAGNETIC JACK WITH LED & FILTER

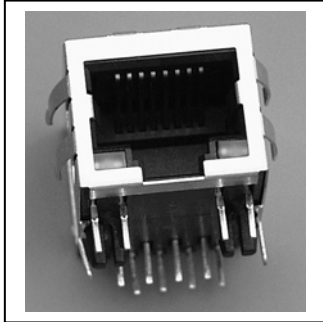


## 7680 SERIES. For PCB Solder. Shielded

### Features

- Available in version 8/8
- Available in 1 port
- Insulator Material: Thermoplastic; UL94V-0
- With Filter
- Available with and without LED
- Contact Material: Phosphor Bronze 0.35 mm thick; available in different plating options
- Mates with plugs FCC-68

### Dimensional Information



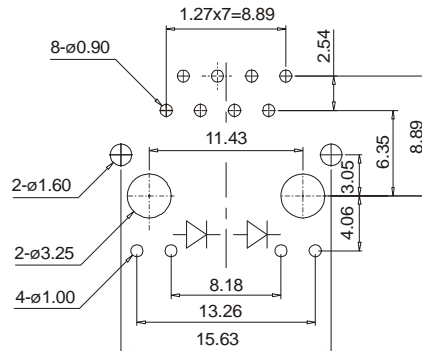
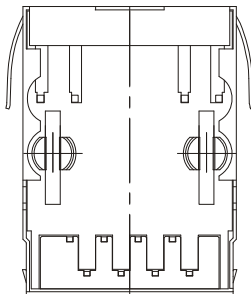
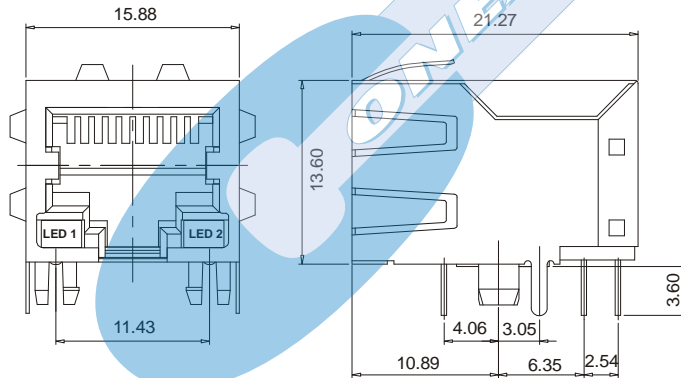
### Ordering and Dimensional Information

Part Number	LED 1	LED 2
7680 - T880F*	W/O LED	W/O LED
7680 - T881F*	YELLOW	GREEN
7680 - T882F*	GREEN	YELLOW
7680 - T883F*	GREEN	GREEN
7680 - T884F*	YELLOW	YELLOW

Replace the F by the number of the Filter wanted

### T = Plating Options

- T = 4. 0.15  $\mu$  Gold over 1.27  $\mu$  Ni.
- T = 5. 0.38  $\mu$  Gold over 1.27  $\mu$  Ni.
- T = 6. 0.75  $\mu$  Gold over 1.27  $\mu$  Ni.
- T = 7. 1.27  $\mu$  Gold over 1.27  $\mu$  Ni.

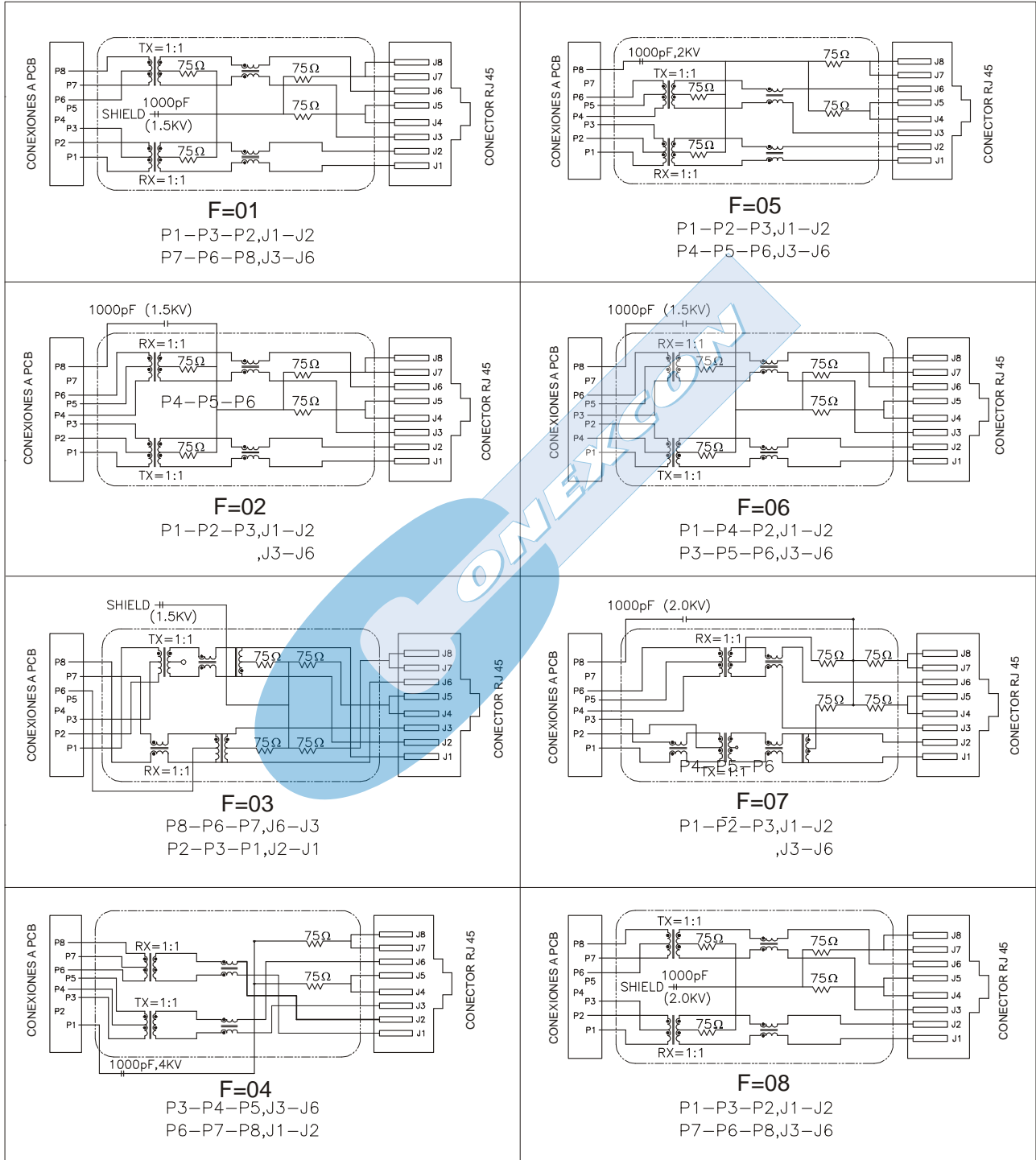


# MAGNETIC JACK WITH LED & FILTER



## 7680 SERIES. For PCB Solder. With shielding

Details of the circuits



# MAGNETIC JACK WITH LED & FILTER



## 7680 SERIES. For PCB Solder. With shielding

Details of the circuits

