

# 10.30mm FOOTPRINT R/ANGLE D-SUB PLUG



## 8014 SERIES. For PCB Solder. Right Angle D-Sub Plug

### Features

- Available in 9, 15, 25 and 37 circuits
- Insulator Material: Glass filled polyester UL 94V-0
- Contact Material: Brass with different plating
- Shell: Steel, tin plated as standard
- Standard connector C = 1 (Check the Hardware options)
- For other options consult the Sales Office

### Dimensional Information

### Ordering and Dimensional Information

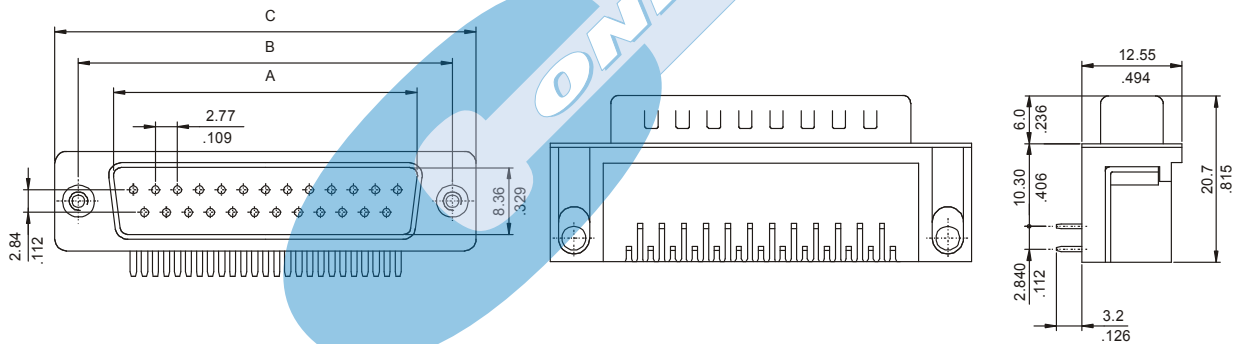
Circuit Size	Part Number	Dimensions		
		A	B	C
9	8014 - T09C	16.92 (0.666)	25.00 (0.984)	30.80 (1.213)
15	8014 - T15C	25.25 (0.994)	33.30 (1.311)	39.20 (1.543)
25	8014 - T25C	38.96 (1.534)	47.10 (1.854)	53.10 (2.091)
37	8014 - T37C	55.42 (2.182)	63.50 (2.500)	69.40 (2.732)

### T = Contact Plating

- T = 3. Gold flash over 50µ" nickel.
- T = 4. 10µ" gold over 50µ" nickel
- T = 5. 15µ" gold over 50µ" nickel
- T = 6. 30µ" gold over 50µ" nickel

### C = Hardware Options

- C = 1. Riveted ground hooks pre-loaded #4.40 UNC Hex screws (standard)
- C = 0. Riveted ground hooks with #4.40 UNC open



### RECOMMENDED HOLE PATTERN

