

RIGHT ANGLE DIP SOLDER PLUG



8053 SERIES. For PCB Solder. Centronic Connector.

Features

- Available in 14, 24, 36 and 50 circuits
- Insulator Material: Glass filled polyester UL 94V-0
- Contact Material: Phosphor bronze
- Different plating options are available.
- Shell: Steel, tin plated as standard
- With mounting holes
- Available with ground tab
- For other options consult the Sales Office

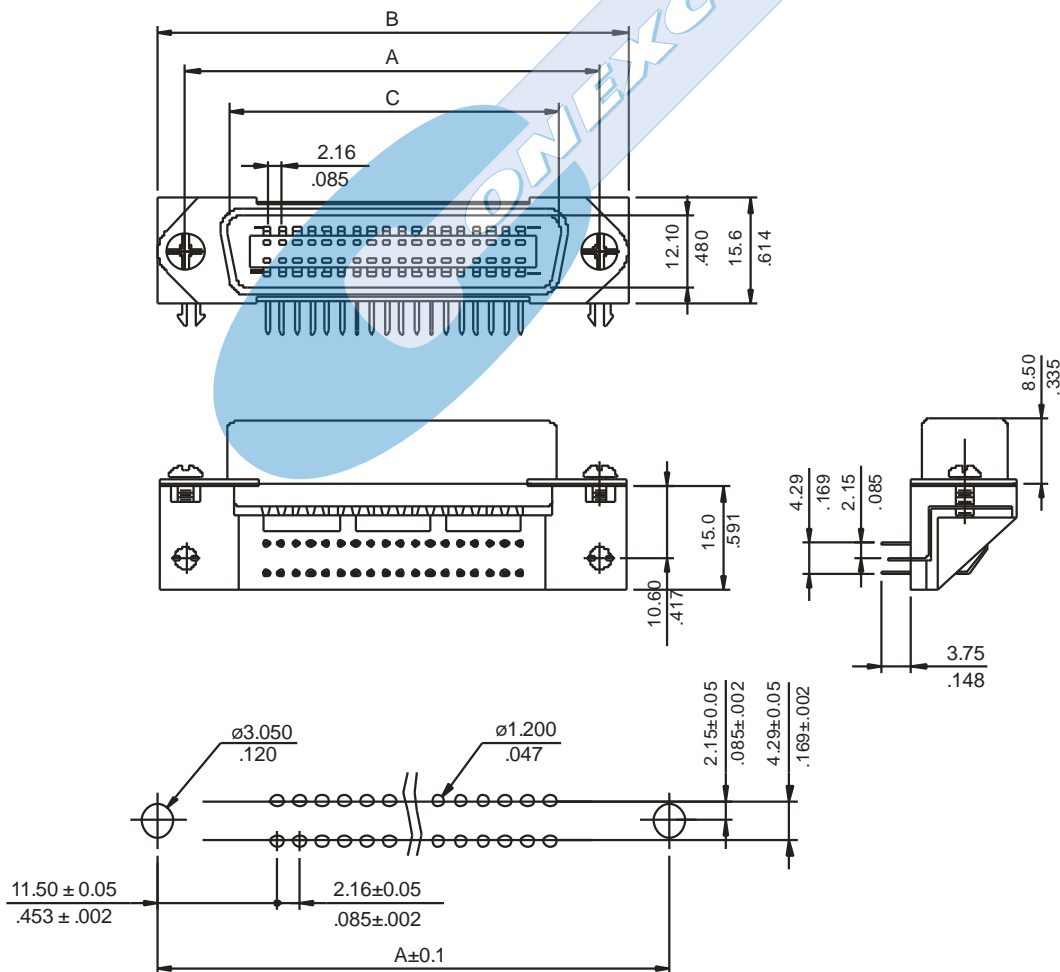
Dimensional Information

Ordering and Dimensional Information

Circuit Size	Part Number	Dimensions			
		A	B	C	D
14	8053 - T141	35.99 (1.417)	43.70 (1.720)	25.60 (1.008)	-
24	8053 - T241	46.79 (1.842)	54.50 (2.146)	36.47 (1.436)	-
36	8053 - T361	59.74 (2.352)	67.70 (2.665)	49.20 (1.937)	-
50	8053 - T501	74.85 (2.947)	82.80 (3.260)	64.47 (2.538)	-

T = Contact Plating

- T = 3. Gold flash over 50µ" nickel.
- T = 4. 10µ" gold over 50µ" nickel
- T = 5. 15µ" gold over 50µ" nickel
- T = 6. 30µ" gold over 50µ" nickel



RECOMMENDED HOLE PATTERN