

# RIGHT ANGLE D-SUB RECEPTACLE SMT



## 8132 SERIES. For PCB Solder. Low Profile

### Features

- Available in 9 and 25 circuits
- Insulator Material: Glass filled Nylon 6T UL 94V-0
- Contact Material: Gold brass
- Different plating options are available
- Shell: Steel, tin plated as standard
- Standard connector C = 1 (Riveted ground hooks with #4-40 UNC open)
- For other options consult the Sales Office

### Dimensional Information

### Ordering and Dimensional Information

| Circuit Size | Part Number |
|--------------|-------------|
| 9            | 8132 - T09C |
| 25           | 8132 - T25C |

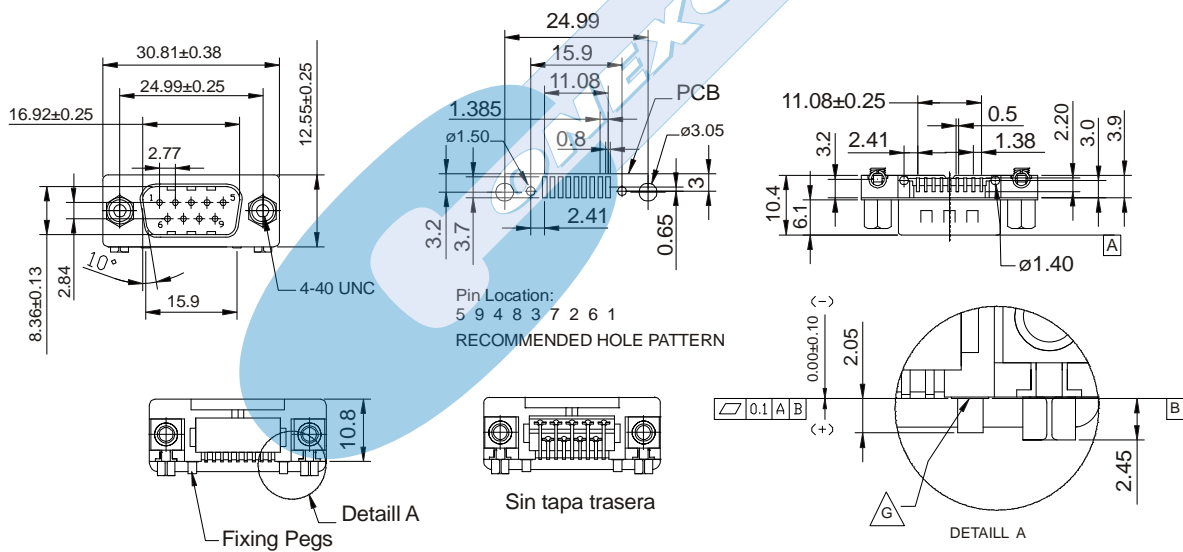
#### T = Contact Plating

- T = 3. Gold flash over 50µ" nickel.
- T = 4. 10µ" gold over 50µ" nickel
- T = 5. 15µ" gold over 50µ" nickel
- T = 6. 30µ" gold over 50µ" nickel

#### C = Hardware Options

- C = 1. Riveted ground hooks pre-loaded #4.40 UNC Hex screws
- C = 0. Riveted ground hooks with #4.40 UNC open

### 9 CIRCUITS



### 25 CIRCUITS

