

RIGHT ANGLE D-SUB RECEPTACLE SMT



8133 SERIES. For PCB Solder. Low Profile

Features

- Available in 9 and 25 circuits
- Insulator Material: Glass filled Nylon 6T UL 94V-0
- Contact Material: Gold brass
- Different plating options are available
- Shell: Steel, tin plated as standard
- Standard connector C = 1 (Riveted ground hooks with #4-40 UNC open)
- For other options consult the Sales Office

Dimensional Information

Ordering and Dimensional Information

Circuit Size	Part Number
9	8133 - T09C
25	8133 - T25C

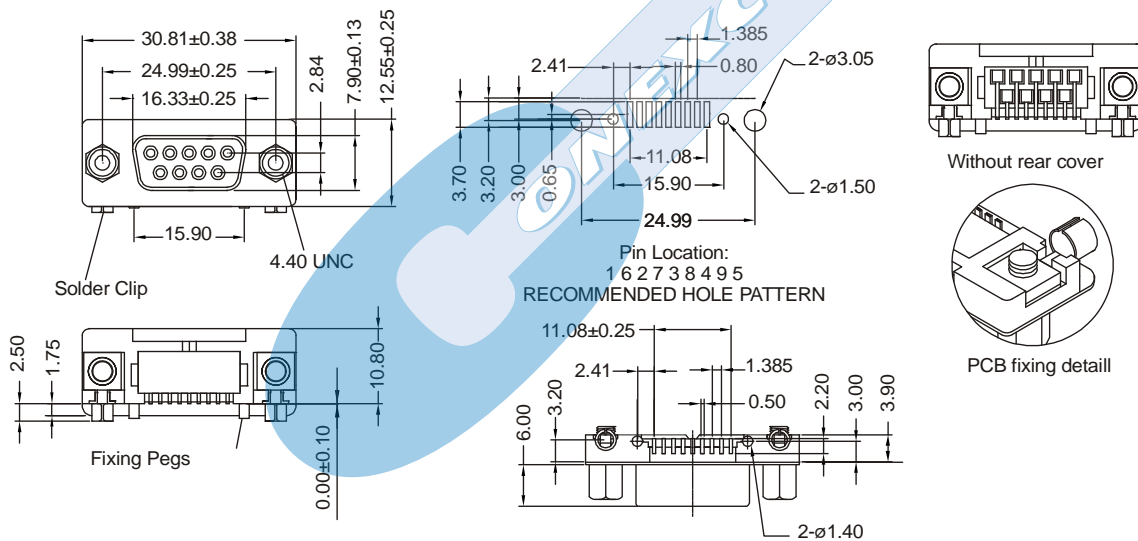
T = Contact Plating

- T = 3. Gold flash over 50µ" nickel.
- T = 4. 10µ" gold over 50µ" nickel
- T = 5. 15µ" gold over 50µ" nickel
- T = 6. 30µ" gold over 50µ" nickel

C = Hardware Options

- C = 1. Riveted ground hooks pre-loaded #4.40 UNC Hex screws
- C = 0. Riveted ground hooks with #4.40 UNC open

9 CIRCUITS



25 CIRCUITS

