

# 3.00mm F/PRINT R/ANGLE SMT D-SUB PLUG



## 8135 SERIES. For PCB Solder. Low Profile

### Features

- Available in 9 circuits
- Insulator Material: Glass filled polyester UL 94V-0
- Contact Material: Brass with different plating
- Shell: Steel, tin plated as standard
- Standard connector C = 1 (Riveted ground hooks with #4-40 UNC open)
- For other options consult the Sales Office

### Dimensional Information

### Ordering and Dimensional Information

8135 - T09C

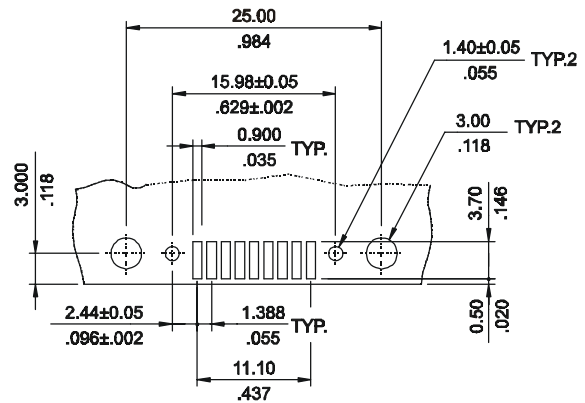
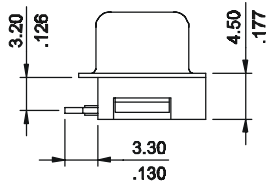
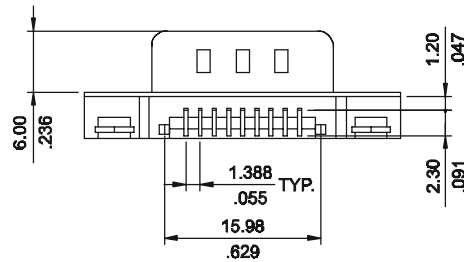
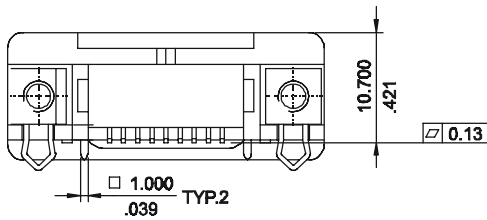
#### T = Contact Plating

- T = 3. Gold flash over 50μ" nickel
- T = 4. 10μ" gold over 50μ" nickel
- T = 5. 15μ" gold over 50μ" nickel
- T = 6. 30μ" gold over 50μ" nickel

#### C = Hardware Options

- C = 1. Riveted ground hooks pre-loaded #4.40 UNC Hexagonal screws (standard)
- C = 0. Riveted ground hooks with #4.40 UNC open

Unit: mm.  
Inch.



SOLDER PAD PATTERN

