

2.00mm CENTRE SPACING FLAT CABLE

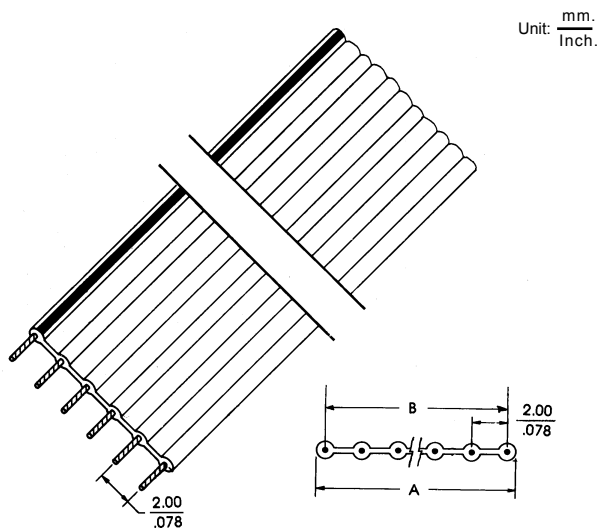


9200 SERIES. Conductor AWG 26 (7 x 34). 2.00mm(0.079")

Features

- Available in 2 through 20 circuits
- Material conductor: Stranded copper
- Insulator Material: PVC, Grey colour
- Dielectric Strength: 2000 VAC/1 Min.
- Flame Test: UL – VW - 1
- Insulation Resistance: 5 MΩ/m min.
- With red strip
- AWG 26

Dimensional Information



Ordering and Dimensional Information

Circuit Size	Part Number	Dimensions	
		A	B
2	9200 - 0226	3.40 (0.134)	2.00 (0.079)
3	9200 - 0326	5.40 (0.212)	4.00 (0.157)
4	9200 - 0426	7.40 (0.291)	6.00 (0.236)
5	9200 - 0526	9.40 (0.370)	8.00 (0.315)
6	9200 - 0626	11.40 (0.449)	10.00 (0.394)
7	9200 - 0726	13.40 (0.528)	12.00 (0.472)
8	9200 - 0826	15.40 (0.606)	14.00 (0.551)
9	9200 - 0926	17.40 (0.685)	16.00 (0.630)
10	9200 - 1026	19.40 (0.764)	18.00 (0.709)
11	9200 - 1126	21.40 (0.843)	20.00 (0.787)
12	9200 - 1226	23.40 (0.921)	22.00 (0.866)
13	9200 - 1326	25.40 (1.000)	24.00 (0.945)
14	9200 - 1426	27.40 (1.079)	26.00 (1.024)
15	9200 - 1526	29.40 (1.157)	28.00 (1.102)
16	9200 - 1626	31.40 (1.236)	30.00 (1.181)
17	9200 - 1726	33.40 (1.315)	32.00 (1.260)
18	9200 - 1826	35.40 (1.394)	34.00 (1.339)
19	9200 - 1926	37.40 (1.472)	36.00 (1.417)
20	9200 - 2026	39.40 (1.551)	38.00 (1.496)