

DIN 41612 MALE Q/2 TYPE PRESS FIT



2231P SERIES. Male Vertical PCB Type.

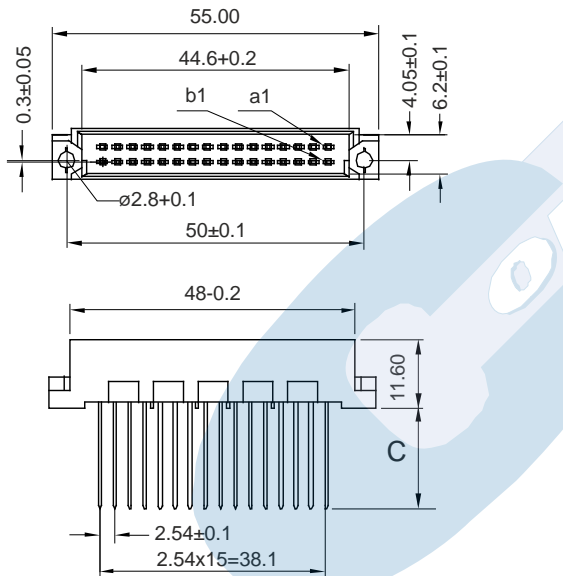
General Features

- Available in 16 (A+B row), 32 (A+B rows)
- Mates with female B/2 Type 2230 and Q/2 type 2232 series and female IDC 2219 series
- Different tail length in PCB area
- Different selective gold plating in contact and tail area

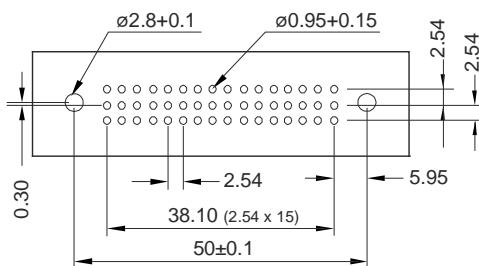
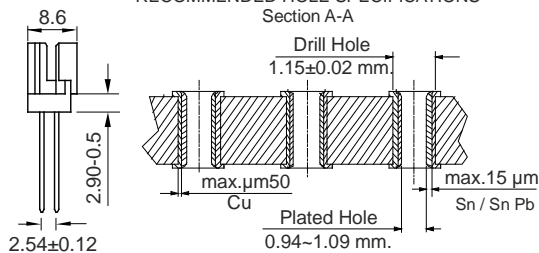
Materials

- Insulator: PBT+GF UL 94 V-0
- Contact: Phosphor bronze
- Operating temperature. -40°C to + 85°C
- RoHS compliant

Dimension information



RECOMMENDED HOLE SPECIFICATIONS
Section A-A



RCOMMENDED PCB HOLE LAYOUT

Electrical Features

- Voltage rating: < 250 V
- Current rating: < 2A 20 °C; 1A 70 °C; 0.50 A 100 °C
- Contact resistance: < 20 mΩ
- Dielectric Withstanding Voltage: 1000 V AC/minute
- Insulation Resistance: >1000 MΩ
- Capacitance: < 2 pF at 1KHz

Mechanical Features

- Insertion force receptacle / plug: < 0.09 Kgf/pin
- Unmating force receptacle / plug: : >0.015 Kgf/pin
- Durability: 50 cycles min. according gold plating thickness

Ordering Information:

2231P-	T-	XX-	C
1	2	3	4

1. Connector Series

2. (T) Contact Plating

- T = 2. Tin plated
- T = 3. Selective gold flash plating contact area
- T = 4. 15 µ" selec. gold plating contact area
- T = 5. 30 µ" selec. gold plating contact area
- T = 33. Sel. gold flash plating cont. and tail area
- T = 44. 15 µ" Sel. gold flash plat. cont. and tail area
- T = 55. 30 µ" sel. gold flash plat. cont. and tail area

3. (XX) Circuits Configuration

- 16. For 32 circuits (A+B rows) even contacts
- 32. For 32 circuits (A+B rows)

4. (C) Tail Options

- 5. PCB tail 0.60x0.60 (5.00 mm.)
- 3. Wrapping 0,60x0,60 (13.00 mm.)
- 7. Wrapping 0,60x0,60 (17.00 mm.)
- 8. Wrapping 0,64x0,64 (13.00 mm.)
- 9. Wrapping 0,64x0,64 (17,00 mm.)