

DIN 41612 IDC SOCKET C AND C/2 TYPE



2319 SERIES. IDC Female C and C/2 Type.

General Features

- Available in 32 (A+C, C/2), 48 (A+B+C, C/2), 64(A+C, C) and 96 (A+B+C, C) circuits
- Mates with C and C/2 DIN 41612 male connectors
- Wires range : 28 AWG O.D máx. 0.85 mm
- Accept cable 1.27 mm pitch 9127 Series
- Dual beam contact

Materials

- Insulator: PBT+Glass reinforced UL 94 V-0
- Contact: Phosphor bronze
- Operating temperature. -40°C to + 85°C
- RoHS compliant

Dimension information

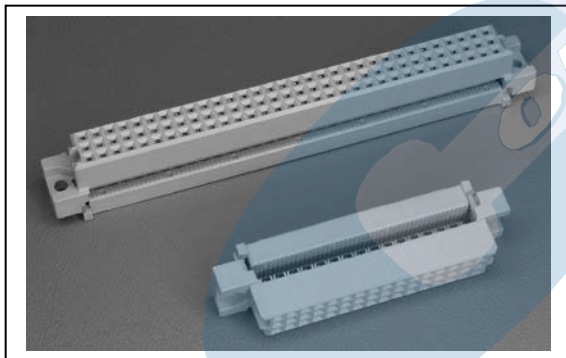
Electrical Features

- Voltage rating: < 250 V
- Current rating: < 1A
- Contact resistance: < 30 mΩ
- Dielectric Withstanding Voltage: 500 V AC/minute
- Insulation Resistance: >1000 MΩ

Mechanical Features

- Single contact insertion force: < 0.30 Kgf
- Single contact insertion force: >0.04 Kgf
- Durability: 50 cycles min.

Circuit Size	Type	Configuration	Part Number	Dimensions			
				A	B	C	D
32	C/2	a + c	2319 – T321	55.00 (2.165)	38.10 (1.500)	50.00 (1.968)	44.40 (1.748)
48	C/2	a + b + c	2319 – T481	55.00 (2.165)	38.10 (1.500)	50.00 (1.968)	44.40 (1.748)
64	C	a + c	2319 – T641	95.00 (3.740)	78.74 (3.100)	90.00 (3.543)	85.00 (3.346)
96	C	a + b + c	2319 – T961	95.00 (3.740)	78.74 (3.100)	90.00 (3.543)	85.00 (3.346)



T = Contact Plating

- T = 2. Tin plated
- T = 3. Gold flash over 50μ" nickel.
- T = 5. 15μ" gold over 50μ" nickel
- T = 6. 30μ" gold over 50μ" nickel

