

# SINGLE ROW CRIMP CONNECTOR HOUSING



## 2610 SERIES. 2.50 mm. (0.098") Pitch.

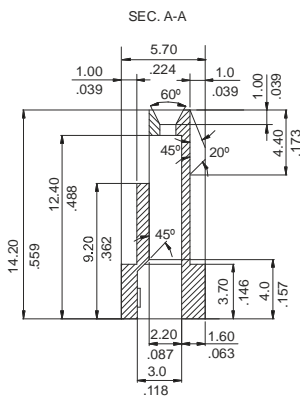
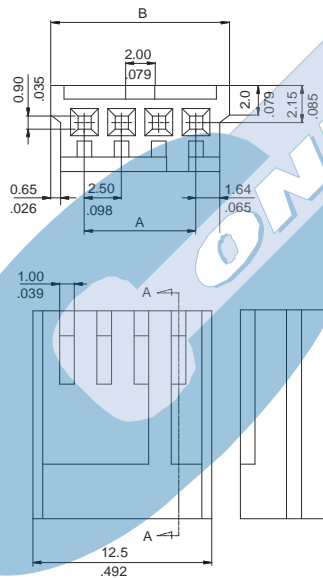
### General Features

- Available in 2 through 12 circuits
- Mates with 2.50 mm pitch 2611 and 2612 headers and 0.64 mm square pin headers
- Polarised with friction lock
- Use crimp terminal 2613

### Materials

- Insulator: Nylon 6/6 UL 94 V-0
- Operating temperature. -40°C to + 85°C
- RoHS compliant

### Dimensional Information

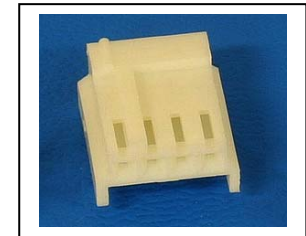


### Electrical Features

- Voltage Rating: < 250 V
- Current Rating: < 3 A
- Contact resistance: < 20 mΩ
- Dielectric withstanding voltage: 1000 V AC/minute
- Insulation resistance: >1000 MΩ

### Mechanical Features

- Contact retention force to the housing: > 1.5 Kgf
- Insertion force to header: < 0.50 Kgf/pin
- Withdrawal force from header: < 0.10 Kgf/pin
- Durability: 25 cycles



**2610 - 2- XX- 1**  
 1            2            3

1. Connector Serie

3. (XX) Number of circuits

- Available in 2 through 20 circuits

Dimensions: (in mm.)

A = 2.50 x (XX\*-1)

B = 2.50 x (XX\*)+2.25

\*XX (Number of circuits)